



## USB Joystick for P/T/Z IP Camera



CAS-4200

H/W Version: 1

The CAS-4200 IP Desktop is a USB controller specifically designed to provide the network video monitoring industry with responsive and accurate pan/tilt/zoom camera positioning controls. Featuring a three-axis Hall Effect joystick, twelve programmable switches and USB interface, the IP Desktop integrates seamlessly with any video surveillance software platform recognizing joystick inputs via Microsoft's DirectX.



USB Cable

### Key Features

- Three axis, two button Hall effect joystick
- Desktop housing features 10 programmable buttons
- USB interface
- RoHS compliant

### Works Well With



**FCS-4010**  
Day/Night Speed Dome Pro  
Network Camera

## Technical Specifications

### Physical Specifications

- Joystick Travel: 36 (18 from center)
- Centering: Single spring, omnidirectional
- Housing: High impact glass-filled nylon
- Breakout force: 0.109 Nm
- Operational force: 0.151 Nm
- Maximum force: 0.169 Nm
- Operating temperature: -25 C to 70 C
- Life cycles: 3,000,000

### Electrical Specifications

- Supply voltage (USB bus): Vdd = 5V+/- .5V
- Supply current (USB bus): 32mA

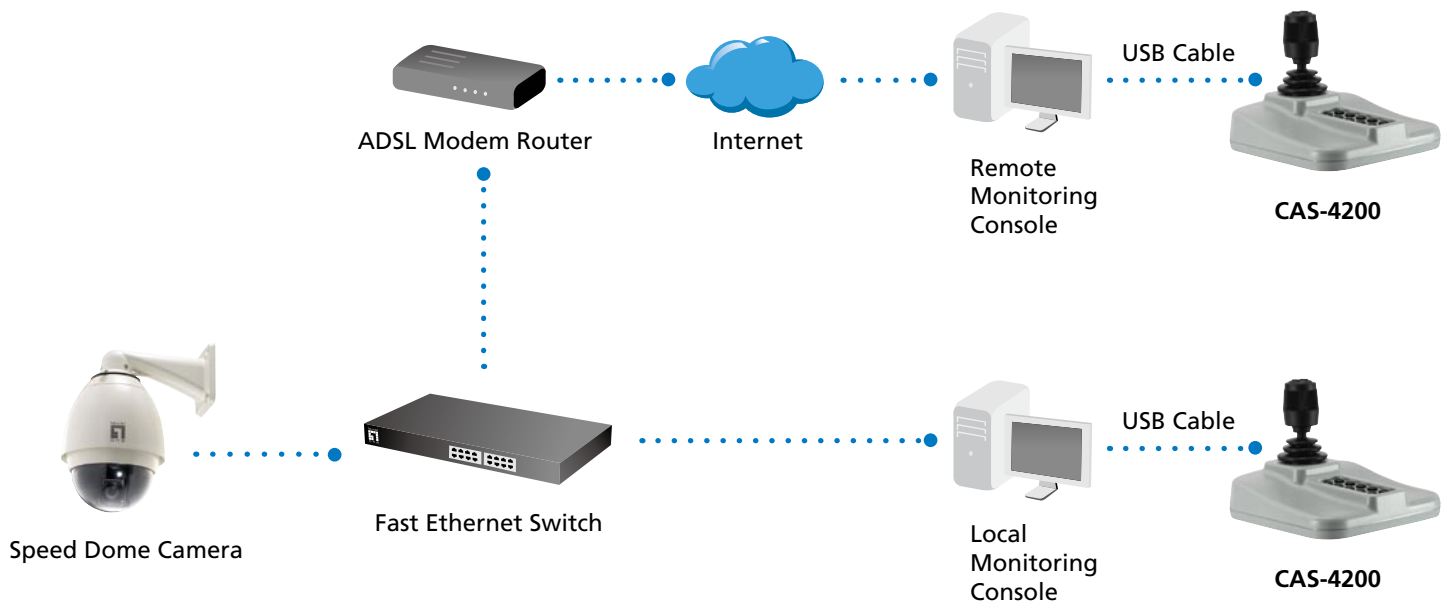
### Technical Specifications

- Three-axis, two button Hall Effect joystick
- Desktop housing features 10 programmable buttons
- USB interface

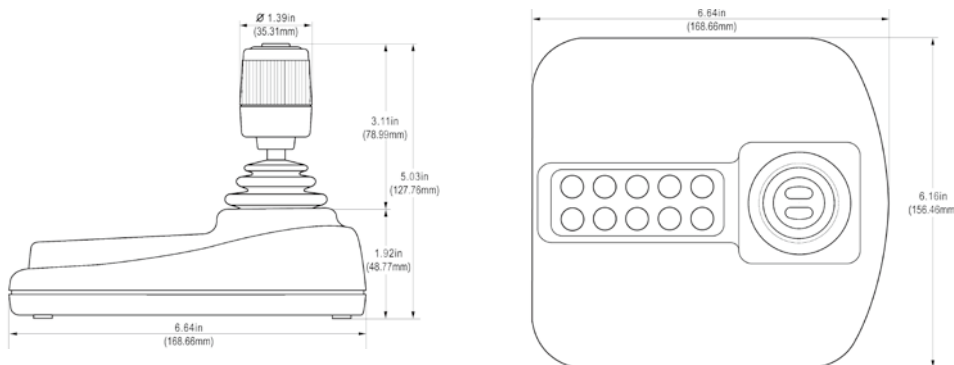
### Physical Dimensions

- W: 6.15" (15.6cm)
- L: 6.65" (16.9cm)
- H: 4.97" (12.6cm)

## Product Diagram



## Installation Diagram



## Order Information

**CAS-4200:** USB Joystick for P/T/Z IP Camera

## Package Content

CAS-4200, QIG